

S M A R T

The Mobile
ENT Unit



For Clinic and
Private Office

otopront®

SMART

ENT unit SMART with optional instrument cabinet

The mobile ENT unit SMART is built for the most different areas of application.

It is usable for bed-side treatment, in operating rooms, outpatient clinics and private offices. Due to antistatic rubber castors, it is mobile and can easily be adapted to any possible location.

The highly competitive suction unit is equipped with comfort functions like automatic suction activation and integrated suction pipe cleaner. Up to three Halogen light sources are available for endoscopic application. Further functions like warm water rinsing or compressed air unit can be integrated.

The instrument cabinet is available in 2 different sizes. It contains a large instrument surface with aluminium trays and a set of stainless steel dividers. On top is a plexiglass dust cover. The S size cabinet contains a drawer for used instruments and a waste container. The L size cabinet offers an instrument drawer, a big storage drawer, a drawer for used instruments and a waste container.



Instrument cabinet S



Instrument cabinet L



SMART

Characteristics

Basic model

Suction unit, 50 l/min, 92% max. vacuum, automatic on/off switch, bacterial filter, silently motorized

Halogen light sources, 2 x 150 W Halogen outlets, with concave reflector lamps, two layer thermal shield, two intensity settings, LED light source optional

Quivers for endoscopes, 2 disinfection quivers (white)

Mirror heater, integrated in the upper part

Head mirror rest

Mobile on antistatic castors

Paper dispenser drawer

Optional accessories

Suction tube cleaner with exchangeable stainless steel adapter. Protects the suction tube from clogging, disinfects the suction system

Compressed air unit, continuously adjustable from 0.1–4 bar, with fine regulation handpiece, 3 spray bottles, adjustable to Politzer olives, silently motorized

Warm water rinsing device, 38°C water temperature, stainless steel water tank and fully autoclavable chrome plated handle with snap system, autoclavable water filter unit

Warm water rinsing device with autonomous water system and integrated water pump

Suction tube cleaner with exchangeable stainless steel adapter. Protects the suction tube from clogging, disinfects the suction system

Kidney shaped ear rinsing funnel on a swivel support with additional suction tube connected to the liquid jar

Suction tube cleaner with exchangeable stainless steel adapter, suitable for tubes and suction pipes of different diameters. Reservoir for the disinfection liquid

Automatic liquid container discharge, through existing waterdrain connections

Cold light source for headlamp, automatic on/off switch 100 W Halogen lamp, LED light source optional

Headlight rest with automatic on/off switch, height adjustable

2 warming quivers for endoscopes

Disinfection quiver for flexible endoscope

Tonsil washing device, with autoclavable steel handle and tonsil shaped glass pipes of different sizes

0-6 V low voltage for nystagmus binoculars etc.



Compressed air unit



Tonsil washing device



Paper dispenser/instrument drawer



2 halogen light sources



SMART



Variants

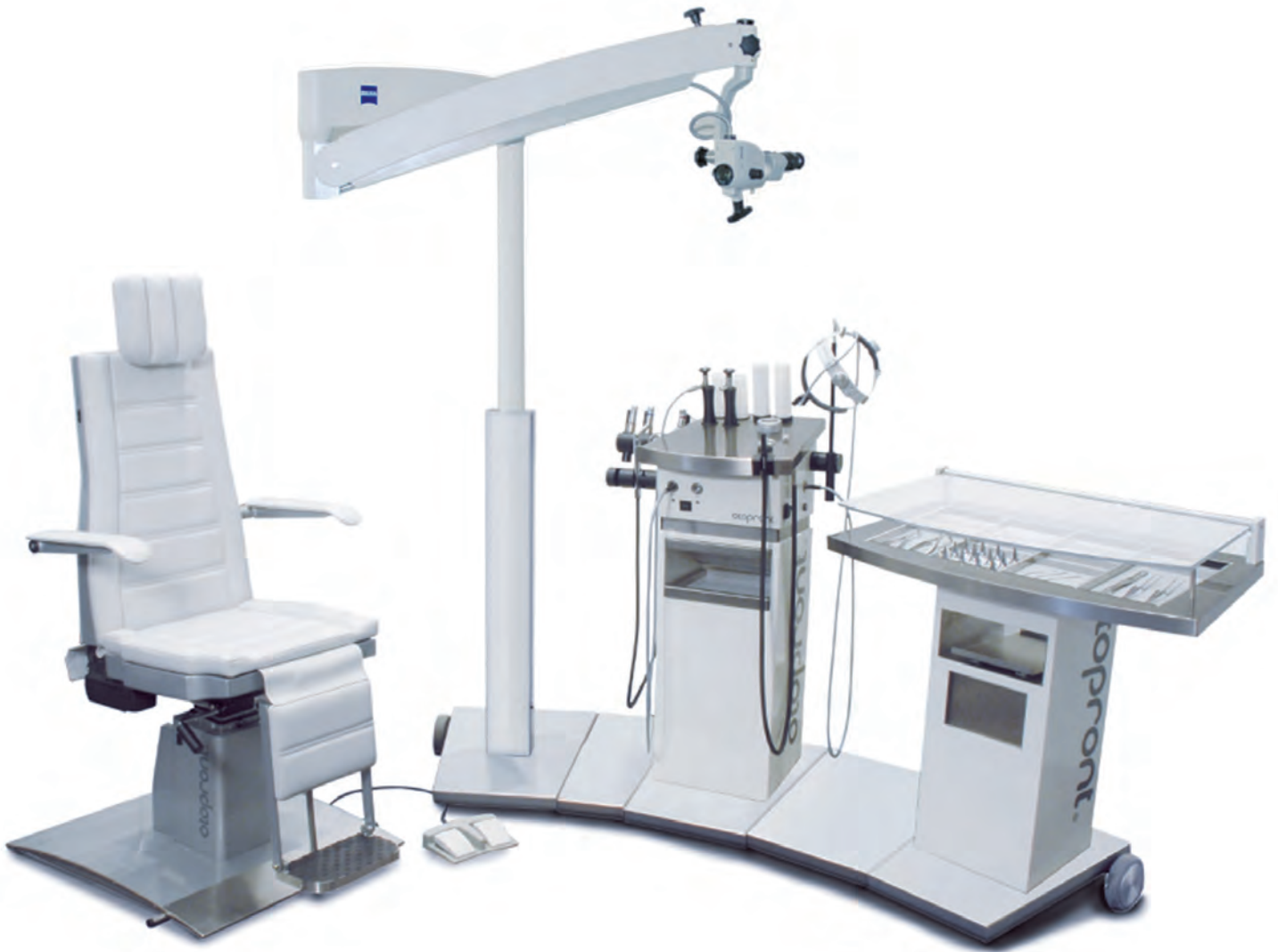
Optional accessories

SMART Column to mount additional equipment on swivel support

Diagnostic Microscope Kaps, mounted at the ENT Unit. Microscope with fibre optic light transmission, straight tube $f = 125$ mm, eyepiece 10 x, objective $f = 200$ mm, spare bulb 12 V/100 W, protection cover, 3 step magnification changer

Diagnostic Microscope Zeiss, mounted at the ENT Unit, with 5 step magnification changer, straight tube $f = 170$ mm, two 10x widefield eyepieces, objective lens $f = 250$ mm, 2 hand grips, 1 handles (2x) at front lamp housing with a lamp quick changer

Mobile ENT unit SMART with Kaps or Zeiss Microscope



Stationary ENT unit SMART with Zeiss or Kaps Microscope and instrument cabinet

Examples

Mobile unit

with column and microscope (picture left side). Left or right side connection of the microscope is possible. The whole unit is mobile on castors. It's ideal for the limited space at bed-side treatments, operating rooms, outpatient clinics and private offices.

Stationary unit

with column, microscope and instrument cabinet. Left or right side connection of the microscope is possible.

SMART

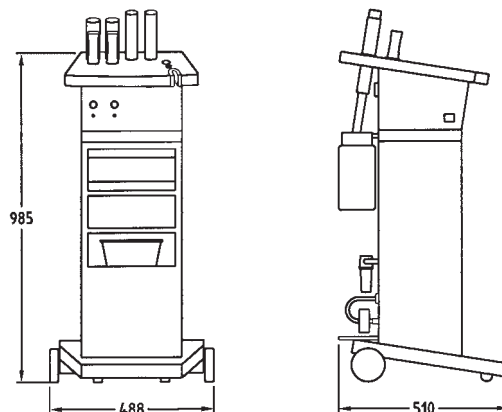
Technical data

Suction unit	50 l/min, 92% vacuum, designed for continuous operation, integrated air filter, vacuum gauge, double overflow fuse, automatic on/off switch, optional operation by foot switch, silently motorized
Suction pipe cleaner	protects the suction tube from clogging and disinfects the system
Endoscopy light sources	2 x 150 W Halogen outlets (LED optional) with two layer thermal shield, STORZ fittings, other fittings on request
Ear rinsing device	38°C water temperature, with chrome plated handle, handle is autoclavable, snap closure system to connect the tube, fine spray regulation valve, water is heated in separate stainless steel tank, including autoclavable water filter unit with filter cartridge
Compressed air unit	with fine regulation handpiece, 3 spray bottles in different colours, front cannulas in two different diameters, silently motorized
Low voltage output	adjustable 0–6V for Frenzel glasses, transillumination etc.
Casing	Steel casing with stainless steel top (option) and lower part, lacquered in white colour; other colours on request
Mobility	4 antistatic wheels
Weight	65–75 kg
Power supply	110–230V~, 50/60 Hz
CE Mark	accord. to MDD 93/42/EEC

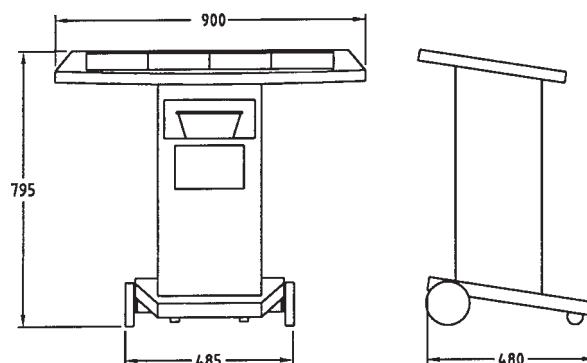
All designs and specifications are subject to change without notice.

SMART ENT unit

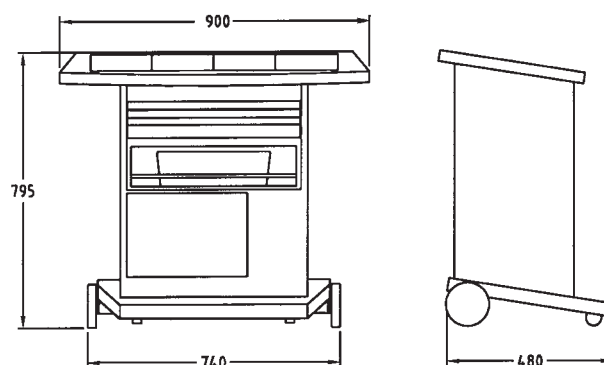
Dimensions in mm



SMART instrument cabinet S



SMART instrument cabinet L



Represented by:

Happersberger otopront GmbH

Medical Equipment Manufacturer
 D-65329 Hohenstein · P. O. Box · Germany
 Tel. +49-6120-9217-0 · Fax +49-6120-921760
 www.otopront.com · info@otopront.com

otopront®